

APPROVAL SHEET

客户名称 Customer: _____

客户料号 Customer P/N: _____

产品类型 Product type: AC FAN

样品规格 Sample model.: K-AC172-W230-27

样品单号 Sample No. : _____

样品数量 Quantity : _____

送样日期 Issuedate: _____

*Please sign back this specification for our record upon your approval.

Company Stamp	Customer Approval Stamp
制作：姚启海	承认：
复核：王磊	核准：
核准：虞嘉强	日期：

2.目录(directory):

序号 (NO.)	页码 (Page)	资料名称 (Chapter)
1	Page 1	封面(cover)
2	Page 2	承认书目录与历史变更记录(Admit it directory and the historical change records)
3	Page 3	机械特性参数 / 电气特性参数 (Mechanical characteristic parameters/electrical characteristic parameters)
4	Page 4~5	电性规格(Electrical Specification)/主要材料规格(Specification of Main Material) /电性特性测试规范(Mechanical properties/electrical property test specifications)
5	Page 6	样品外观尺寸及结构示意图(Sample size and structure schematic diagram appearance)
6	Page 7	注意事项 (Notes)

历史变更记录(Change records):

日期(date)	修改记录(Change recorder)	修改内容(Change content)
2022-8-19	A0	初版发行(Issue)

3.机械特性参数/电气特性参数(Mechanical characteristic parameters/electrical

项目 (Item)	描述 (Description)	测试条件 (Condition)
3-1. 外形尺寸 (Dimension)	172*150*55mm	
3-2. 轴承类型 (Bearing Type)	Two Ball Bearing	
3-3. 额定电压 (Rated Voltage)	AC220V	
3-4. 频率 (Operating Frequency)	50/60Hz	
3-5. 操作电压 (Operating Voltage)	AC200-240V	
3-6. 启动电压 (Start-up Voltage)	120V	25°C Power ON/OFF
3-7. 额定电流 (Rated Current)	0.18/0.20A	±10% A. 额定电压 At Rated Voltage B. Temperature 25°C C. Relative Humidity: 65%RH D. Measured after 5minutes
3-8. 额定功率 (Rated Power)	37/39W	
3-9. 额定转速 (Rated Speed)	2750/3100RPM	
3-10. 最大风量 (Max. Air Flow)	231CFM	A. PQ Measurement Apparatus B. AMCA 标准 Standard: AMCA C. 额定电压 Rated Voltage D. 额定电流 Rated Current
	6.54m ³ /min	
3-11. 最大静压 (Max. Static Pressure)	13.22mmH ₂ O	
	0.52inchH ₂ O	
3-12. 噪音 (Noise level)	54dBA	A. 额定电压 Rated Voltage B. 无响室 Mute Room C. 距离 Distance: 1M D. 背景噪音 Background Noise: <16dB
3-13. 寿命预估 (Life Expectance)	70000hrs at 25°C	失效标准 Failure Criteria: A. 速度低于原始值的 15% Speed: Under 15% of original value B. 电流超过原始值的 15% Current: Over 15% of original value C. 风扇不运转 Fan not run
3-14. 绝缘耐压 (Insulation Voltage Resistance)	1800VAC 0.5MA 2秒	
3-15. 绝缘等级 (Insulation Type)	CLASS F	
3-16. 马达保护 (MOTOR PROTECTION)	温度保护 THERMAL PROTECTION 130°C 过热保护, 130°C Over load protection 闭合温度 90°C ± 20°C CLOSING TEMP 90°C ± 20°C 断开温度 130°C ± 10°C DISCONNECT TEMP 130°C ± 10°C	
3-17. 旋转方向 (Rating Direction)	<input type="checkbox"/> 顺时针 (Clockwise) <input checked="" type="checkbox"/> 逆时针 (Anticlockwise) (依扇叶面看)	
3-18. 工作温度 (Operating Temperature)	-25°C --- +70°C	
3-19. 储存温度 (Storage Temperature)	-40°C --- +85°C	
3-20. 安规认证 (SAFETY AGENCY'S APPROVAL)	CE	

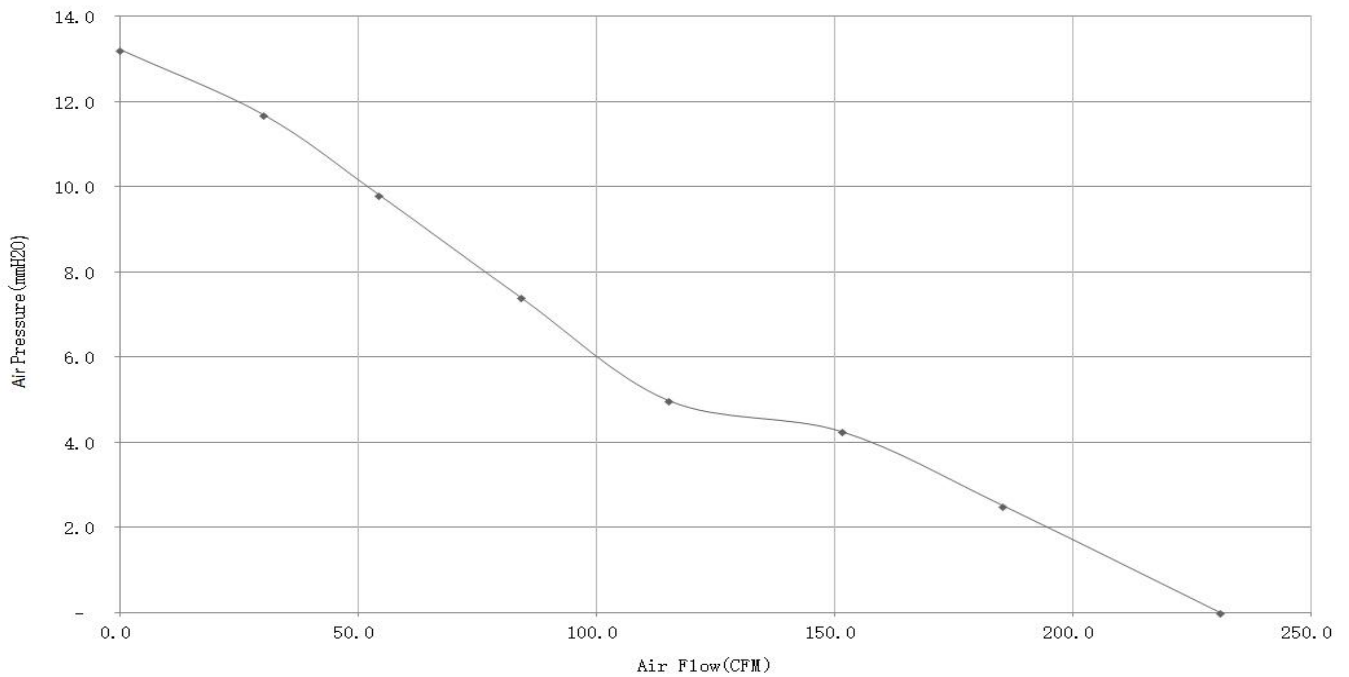
4.主要材料规格 (Specification of Main Material)

1. 外框材质 (Frame)	AL 铝合金
2. 扇叶材质 (Propeller)	Fe 铁烤漆
3. 绝缘架 (Bobbin)	PA66 UL94V-0
4. 定子&转子 (stator &Rotor)	矽钢 (Silicon steel)
5. 漆包线 (Magnet Wires)	Copper 2UEW-F
6. 轴承 (Bearing)	双滚珠轴承 (Two Ball Bearing)
7. 框外导线 (out of frame Lead wires)	UL133222AWG, 300±10mm 黑黑线
8. 端子 (Connector)	/
9. 导管	热缩导管 黑色 Φ3.5*70MM
10. 标签 (Label Marking)	Jiabo 标签

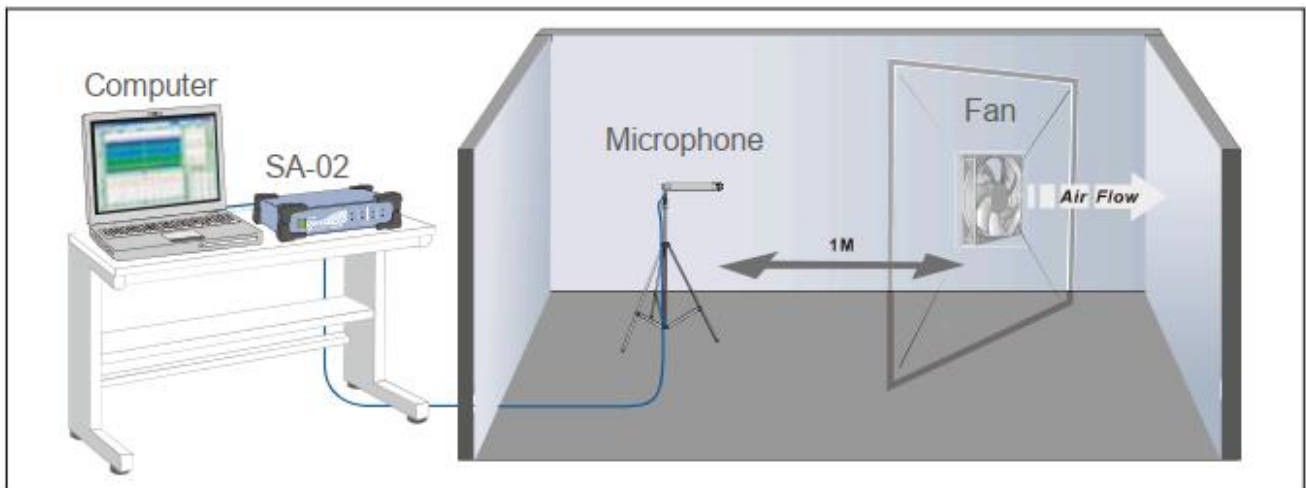
P-Q特性曲线测试 P-Q Characteristic curve test:

测试条件与方法 Test conditions and methods	
测试方法 Testing Method : 恒定电压 Constant Voltage	
大气压力 Barometric Pressure: 755.7 mmHg	在额定电压下 At Rated Voltage
相对湿度 Relative Humidity: 64%RH	测试温度 (Temperature): 25.3° C
测试数据 test data : 最大风量 Max Flow Rate :231 CFM 最大风压 Max Ps :13.22 mmH2O	

P&Q 曲线图 (P&Q curve) :



噪音测试 (Noise Test):

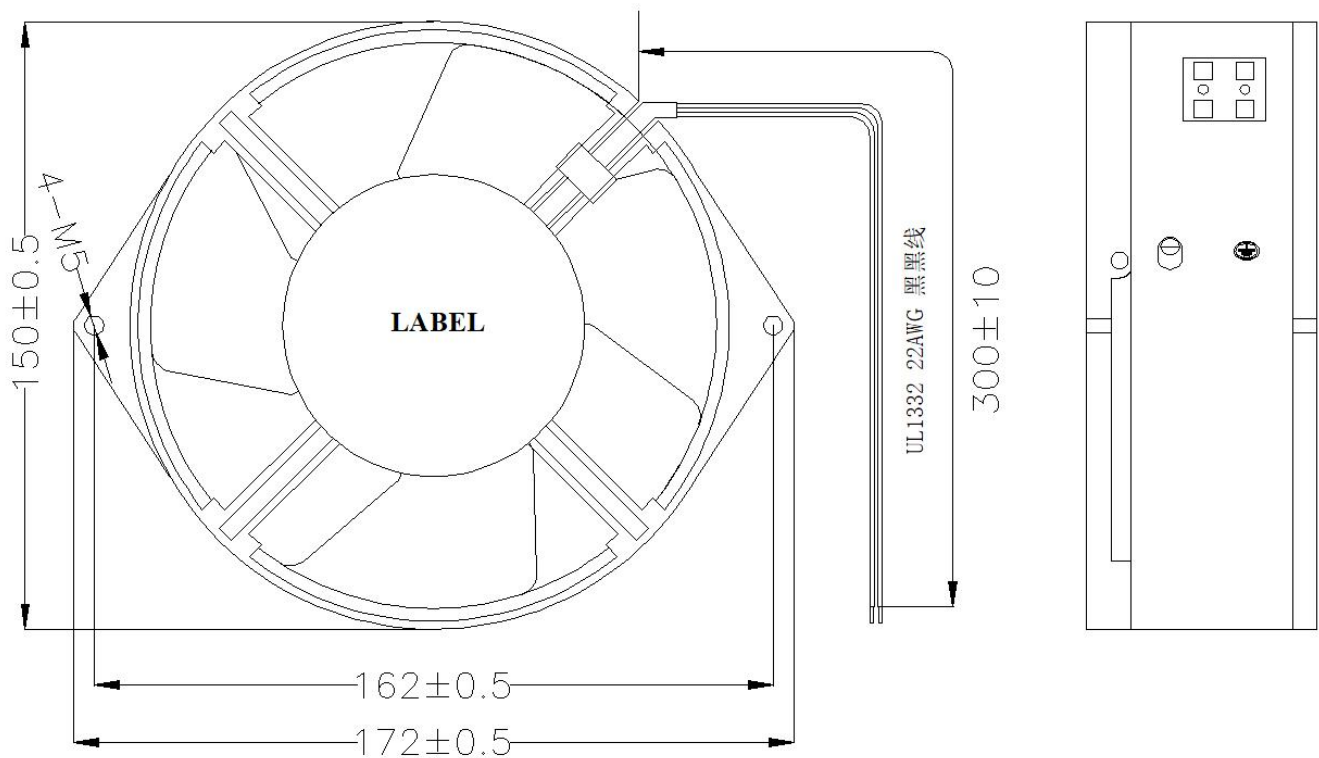


测量系统/Measurement Systems

1. ANECHOIC Room Noise Measurement System
2. Rion SA-02 4-Channel Signal Analyzer, U-57 Microphone
3. Specifications: CNS8753/ISO3744 ,ISO 7779
4. Background Noise: < 16dB(A)

5. 尺寸与结构 (Dimensions & Structure) :

外形尺寸 (Outline Dimension)



Note:

①. 使用时请勿超出本规格所规定之极限，否则我们不保证此产品。

We will not guarantee the products if the application of our products are exceeded the limitation which is specified on this specification.

②. 倘若要变更此份文件的任何规格，请务必事先提出要求。

In case of changes of the specification specified on this document. A written notice is requested in advance.

③. 请勿触压着叶片以及电源线缠绕着风扇或用力拉扯电源线，如此轴心与电源线将会被损毁。

Please do not touch the impeller with the pressure and never bring the fan with lead wire. The bearing and lead wire may be damaged.

④. 本产品不保证因粉尘、水滴、小虫进入，而影响寿命与不良品产生。

No guarantee on the products against the safety problem or failure caused by powder dust, drop of water or insect.

⑤. 如有任何资料及文件与此份资料不同，将以此份资料为主要参考。

If there is any data or related documentation different from this data sheet. This data sheet is the principle reference.

⑥. 请勿在可燃性气体与任何有害环境中使用。

Please do not use the fan in the environment of corrosive gas or liquid or any detrimental gas.

⑦. 组装风扇时，请特别注意，因共振或振动产生的噪音。

During the installation of the fan, please pay substantial attention to possible noise caused by resonance vibration and shock.

⑧. 当搬运或作业中，风扇如从 60cm 的高度落下，将会对叶片的平衡产生若干影响，特别是滚珠轴承避免掉落。

It is very important to notify that avoid to drop from 60cm height when in any movement or operation, it will impact the balance of blade. Especially ball bearing structure is avoided to drop down.

⑨. 锁外壳之螺丝扭力不得超 4Kgf。

The torque of the screw which locked the frame should not exceed 4 Kgf.

⑩. 当风扇在运转时，请不要触摸叶片，这样非常危险，容易伤害到您的手指。

Please don't touch the blade when the fan at full speed running, be careful your fingers!